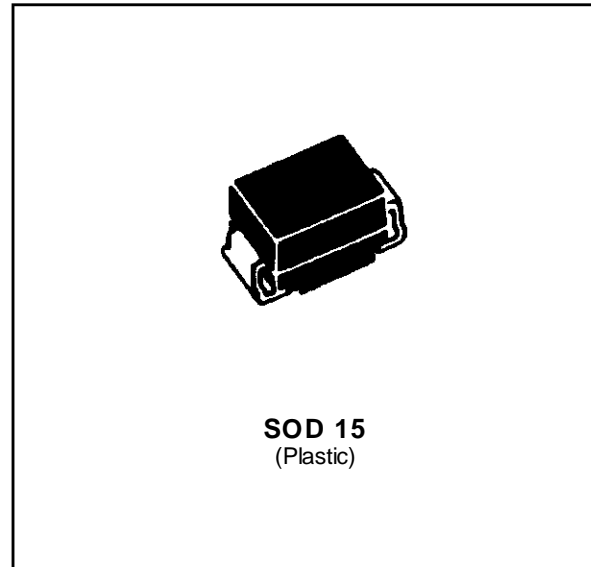


TRISIL FOR SLIC PROTECTION

FEATURES

- CROWBAR PROTECTION.
- ASYMETRICAL TRANSIENT SUPPRESSOR
- PEAK PULSE CURRENT :
- $I_{PP} = 75 \text{ A}$, $10/1000 \mu\text{s}$.
- HOLDING CURRENT = 150 mA min
- BREAKDOWN VOLTAGE = 58 V .
- BREAKOVER VOLTAGE = 80V max .

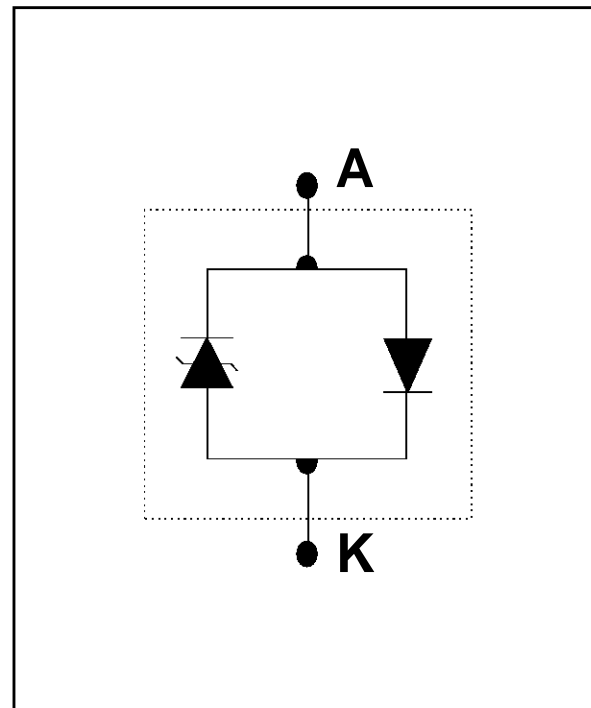


DESCRIPTION

This device has been especially designed to protect subscriber line card interfaces (SLIC) and terminals against transient overvoltages.

A diode clips positive overloads and a crowbar device protects against negative surges.

SCHEMATIC DIAGRAM



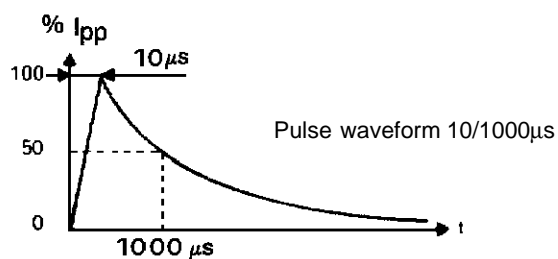
IN ACCORDANCE WITH FOLLOWING STANDARDS :

CCITT K17 - K20	{	10/700 μs	1.5 kV
		5/310 μs	38 A
VDE 0433	{	10/700 μs	2 kV
		5/200 μs	50 A
CNET	{	0.5/700 μs	1.5 kV
		0.2/310 μs	38 A

SMTHDT58

ABSOLUTE RATINGS (limiting values) ($-40^{\circ}\text{C} \leq T_{\text{amb}} \leq +85^{\circ}\text{C}$)

Symbol	Parameter	Value	Unit
I_{PP}	Peak pulse current	10/1000 μs 8/20 μs	A
I_{TSM}	Non repetitive surge peak on-state current	$t_p = 20 \text{ ms}$	A
I_{FSM}	Non repetitive surge peak forward current	$t_p = 20 \text{ ms}$	A
di/dt	Critical rate of rise of on-state current	Non repetitive	A/ μs
dv/dt	Critical rate of rise of off-state voltage	67% V_{BR}	KV/ μs
T_{stg} T_{j}	Storage and operating junction temperature range	- 40 to + 150 150	$^{\circ}\text{C}$ $^{\circ}\text{C}$
T_{L}	Maximum lead temperature for soldering during 10 s.	260	$^{\circ}\text{C}$

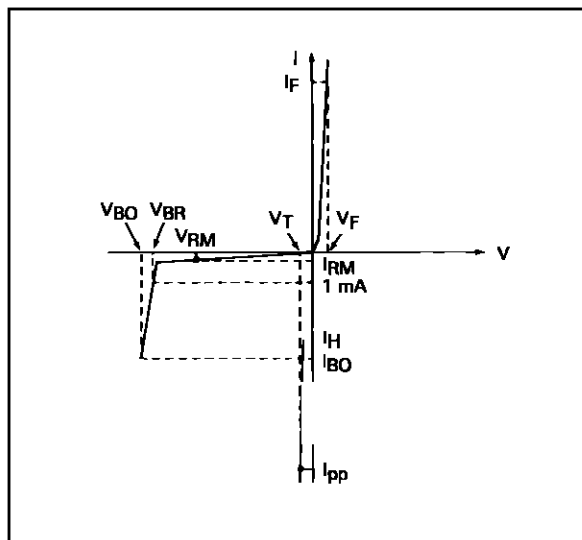


THERMAL RESISTANCES

Symbol	Parameter	Value	Unit
$R_{\text{th}}(j-l)$	Junction to leads	10	$^{\circ}\text{C}/\text{W}$
$R_{\text{th}}(j-a)$	Junction-to-ambient	75	$^{\circ}\text{C}/\text{W}$

ELECTRICAL CHARACTERISTICS

Symbol	Parameter
V_{RM}	Stand-off voltage
V_{BR}	Breakdown voltage
V_{BO}	Breakover voltage
I_H	Holding current
V_T	On-state voltage
V_F	Forward Voltage Drop
I_{BO}	Breakover current
I_{PP}	Peak pulse current



PARAMETER RELATED TO THE DIODE.

Symbol	Test conditions	Value	Unit
V_F	Square pulse, $t_p = 500 \mu s$, $I_F = 5 A$.	5	V

PARAMETERS RELATED TO THE PROTECTION THYRISTOR.

TYPE	I_{RM} @ V_{RM}		V_{BR} @ I_R		V_{BO} @ I_{BO}			I_H	V_T	C
	max		min		max	min	max	min	max	max
	μA	V	V	mA	V	mA	mA	mA	V	pF
SMTHDT58	10	56	58	1	80	150	800	150	5	400

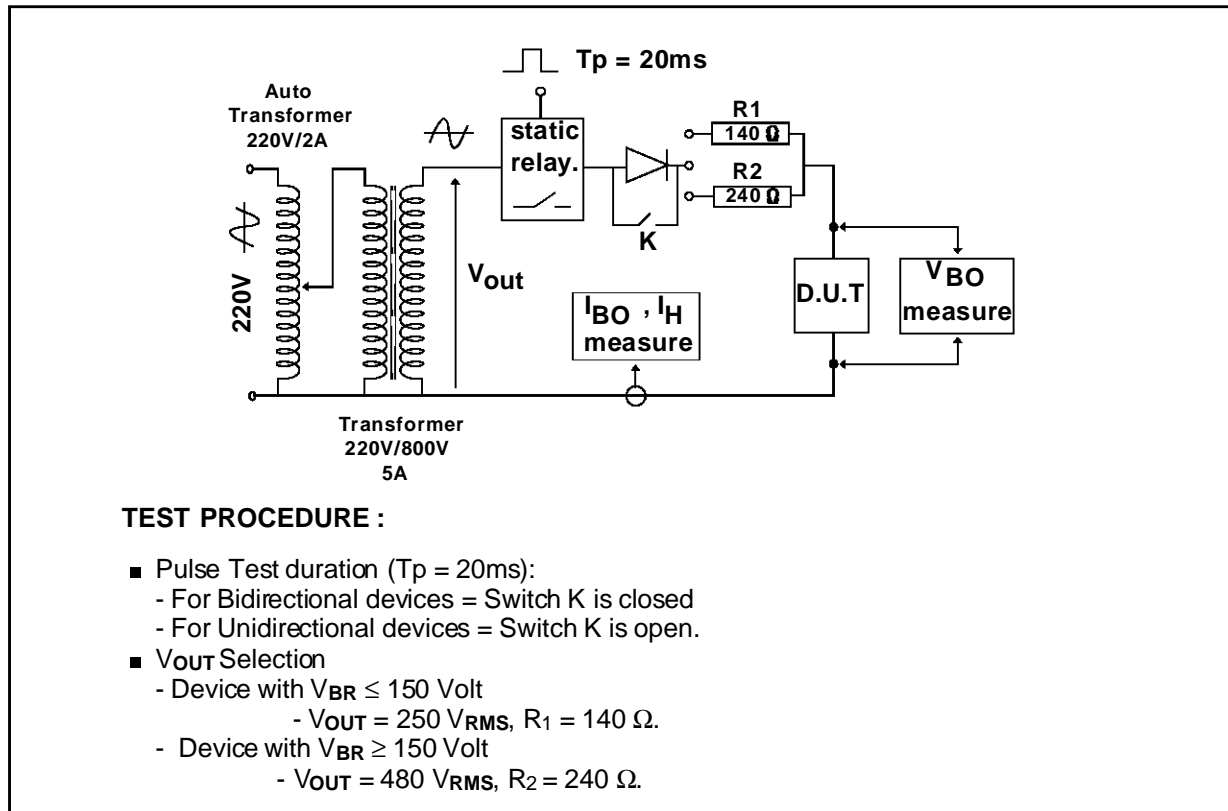
All parameters tested at 25°C, except where indicated

Note 1 : See the reference test circuit for I_H , I_{BO} and V_{BO} parameters.

Note 2 : Square pulse $T_p = 500 \mu s$ - $I_T = 5 A$.

Note 3 : $V_R = 1 V$, $F = 1 MHz$.

REFERENCE TEST CIRCUIT FOR I_H , I_{BO} and V_{BO} parameters :



FUNCTIONAL HOLDING CURRENT (I_H) TEST CIRCUIT = GO - NOGO TEST.

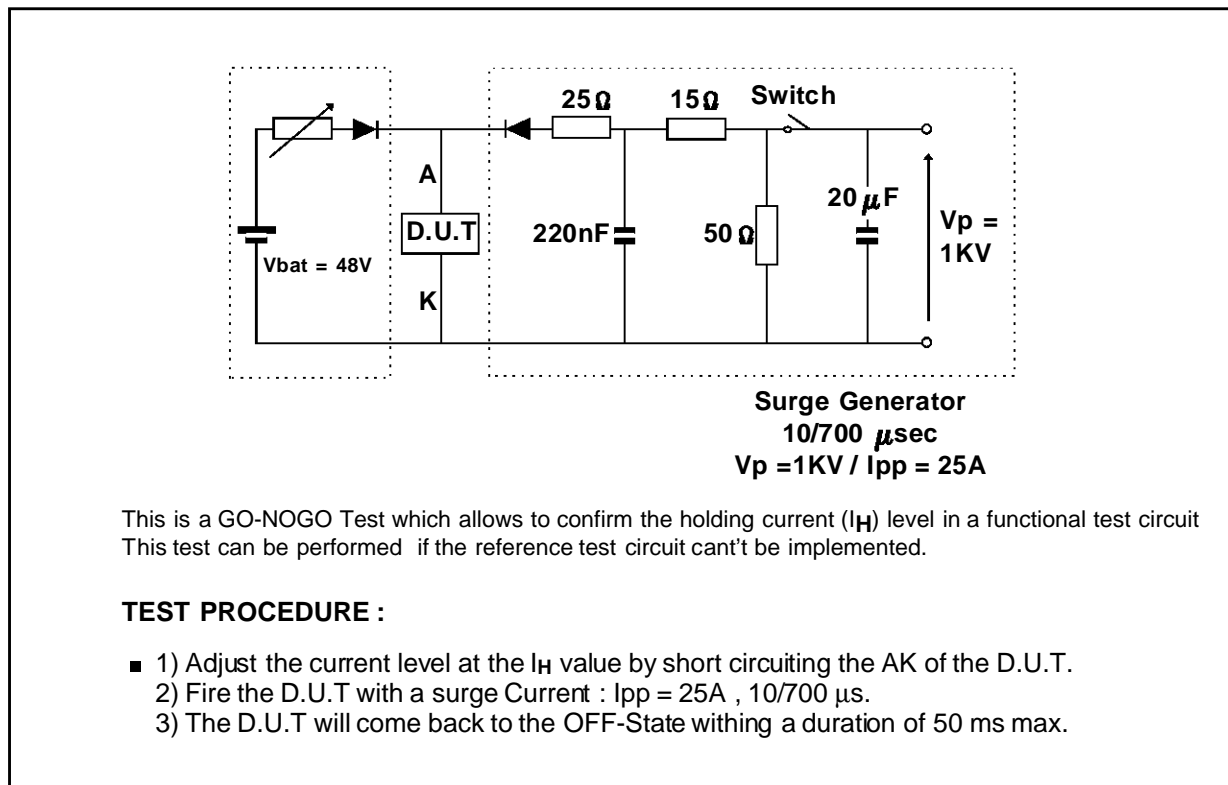


Figure 1 : Relative variation of holding current versus junction temperature.

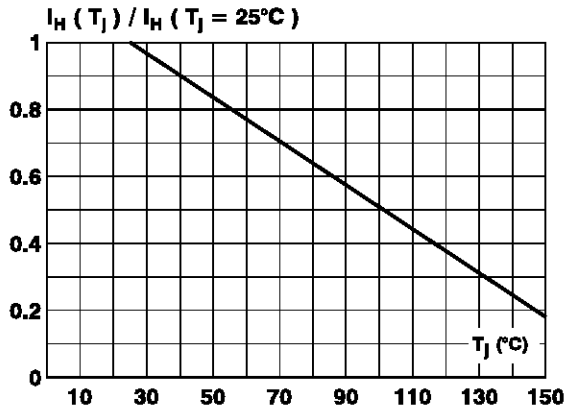


Figure 2 : Non repetitive surge peak on state current versus number of cycles (1 cycle = 20

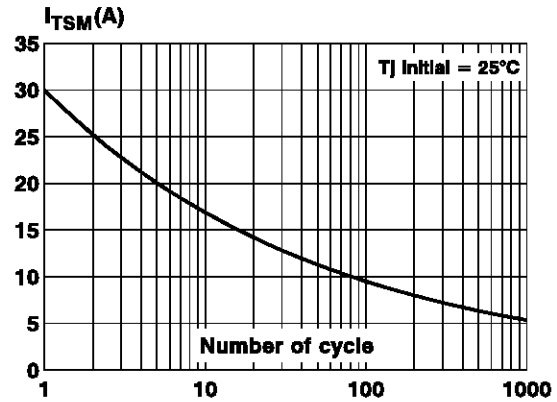


Figure 3 : Peak on state voltage versus peak on state current (typical values).

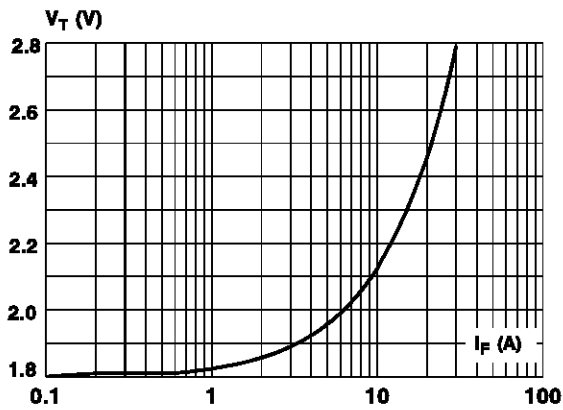


Figure 4 : Peak forward voltage drop versus peak forward current (typical values).

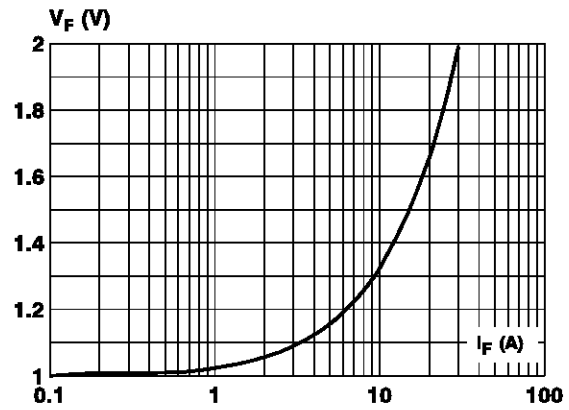
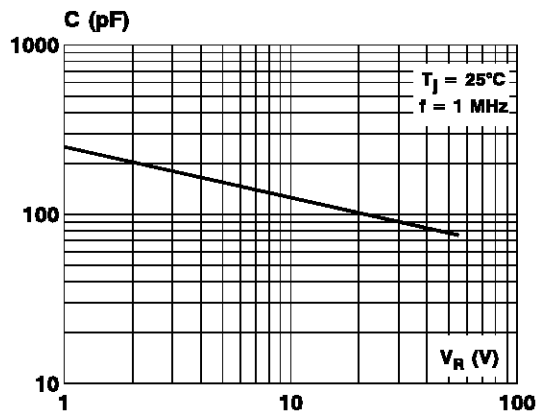


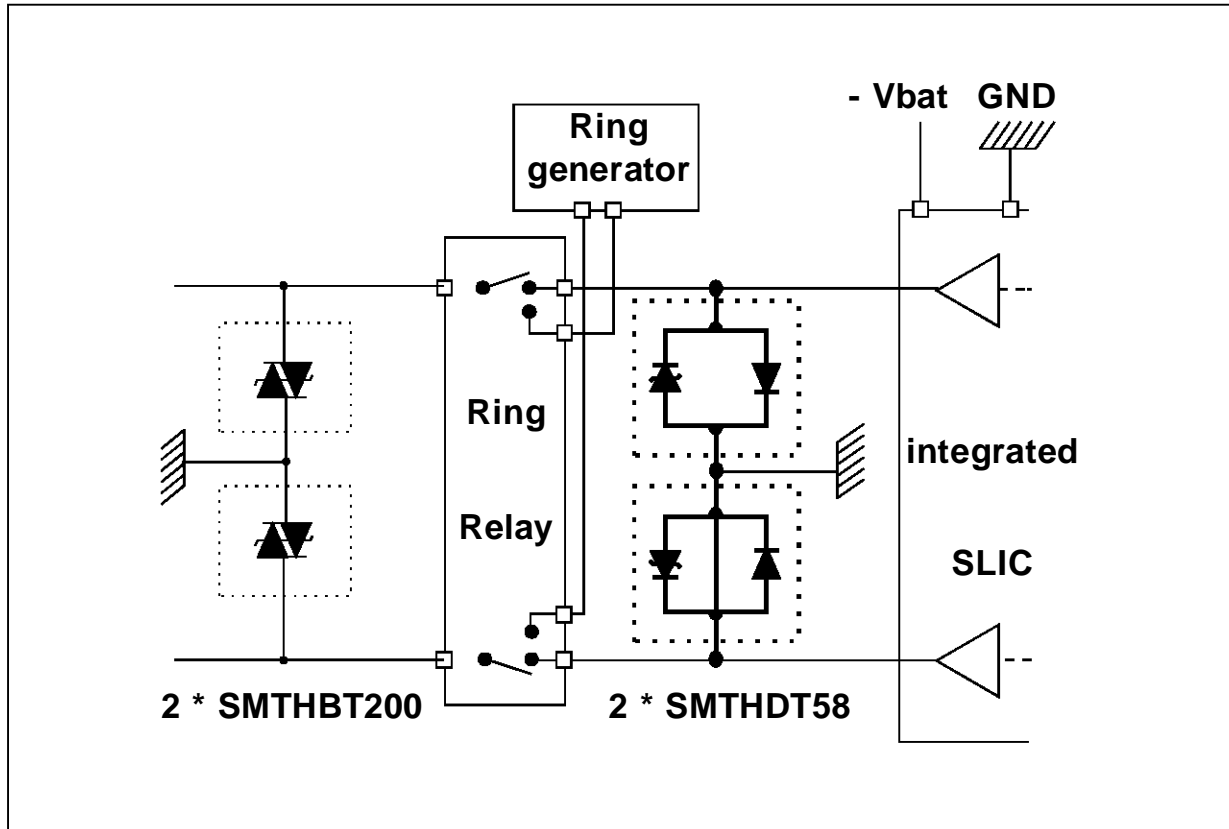
Figure 5 : Capacitance versus reverse applied voltage (typical values).



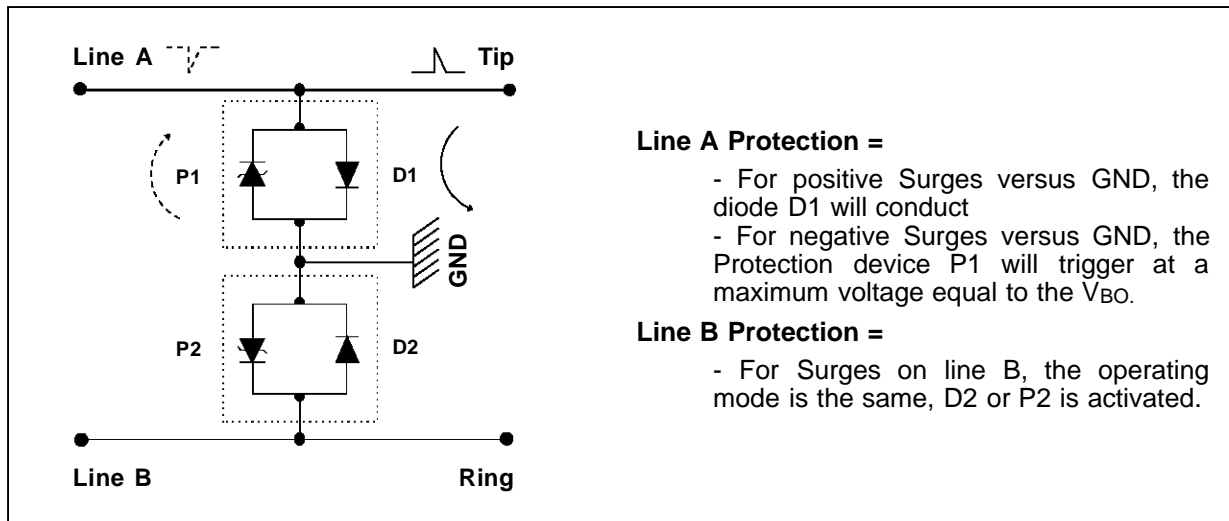
SMTHDT58

APPLICATION CIRCUIT

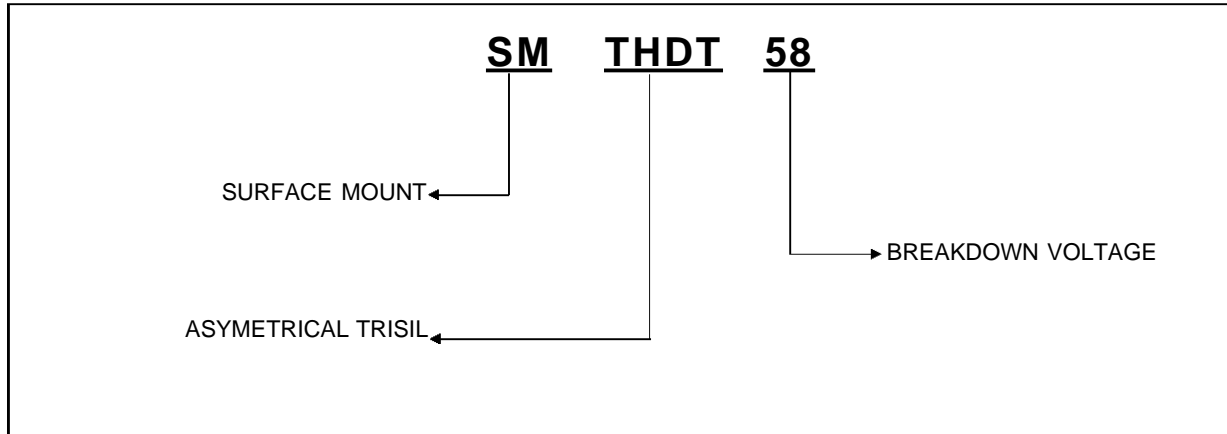
Typical slic protection concept



FUNCTIONAL DESCRIPTION



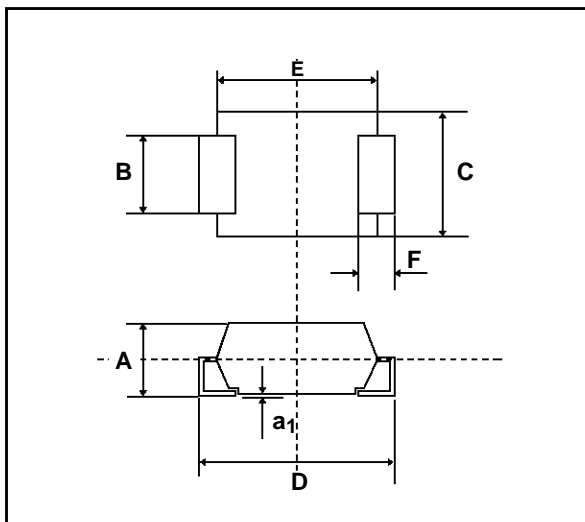
ORDER CODE



MARKING = Logo, WO1
 A white band indicates the cathode.

PACKAGE MECHANICAL DATA .

SOD 15 Plastic.



Ref	Millimeters		Inches	
	min	max	min	max
A	2.5	3.1	0.098	0.122
a ₁	-	0.2	-	0.008
B	2.9	3.1	0.114	0.122
C	4.8	5.2	0.190	0.200
D	7.6	8.0	0.300	0.315
E	6.3	6.6	0.248	0.259
F	1.3	1.7	0.051	0.067

Packaging : Standard packaging is in film.

Information furnished is believed to be accurate and reliable. However, SGS-THOMSON Microelectronics assumes no responsibility for the consequences of use of such information nor for any infringement of patents or other rights of third parties which may result from its use. No license is granted by implication or otherwise under any patent or patent rights of SGS-THOMSON Microelectronics. Specifications mentioned in this publication are subject to change without notice. This publication supersedes and replaces all information previously supplied. SGS-THOMSON Microelectronics products are not authorized for use as critical components in life support devices or systems without express written approval of SGS-THOMSON Microelectronics.

© 1994 SGS-THOMSON Microelectronics - All Rights Reserved

Purchase of I²C Components by SGS-THOMSON Microelectronics, conveys a licence under the Philips I²C Patent. Rights to use these components in an I²C system, is granted provided that the system conforms to the I²C Standard Specification as defined by Philips.

SGS-THOMSON Microelectronics GROUP OF COMPANIES
Australia - Brazil - France - Germany - Hong Kong - Italy - Japan - Korea - Malaysia - Malta - Morocco - The Netherlands -
Singapore - Spain - Sweden - Switzerland - Taiwan - Thailand - United Kingdom - U.S.A